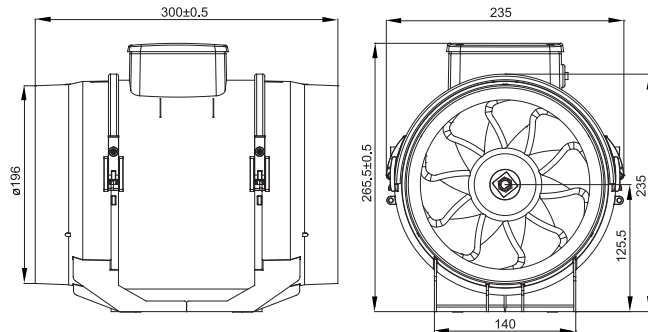


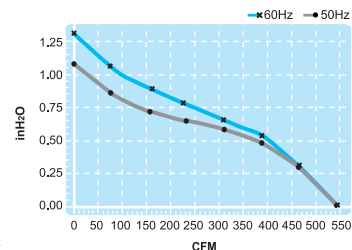
# DF200P Series

Size : 300 x 265.5

Unit : mm



(Duct Fan)



## Thermal Protection



Spec. Model	Rated Voltage V	Frequency Hz	Input Power W	Rated Current A	Locked Current A	Speed RPM	Maximum Air Flow m <sup>3</sup> /min.	Maximum Air Flow CFM	Maximum Pressure mmH <sub>2</sub> O	Maximum Pressure InchH <sub>2</sub> O	Noise dB	IP Rate	Weight kg
DF200P11-H	115V	50	150	1.27	1.90	2100	15.6	550	29	1.14	59	44	4
		60	180	1.65	1.90	2100	15.6	550	36	1.41	59		
-L	115V	50	125	1.08	1.31	1700	12.5	440	26	1.02	53	44	4
		60	140	1.27	1.31	1600	11.3	400	28	1.10	50		
DF200P23-H	230V	50	150	0.63	0.95	2100	15.6	550	29	1.14	59	44	4
		60	180	0.81	0.95	2100	15.6	550	36	1.41	59		
-L	230V	50	125	0.54	0.65	1700	12.5	440	26	1.02	53	44	4
		60	140	0.63	0.65	1600	11.3	400	28	1.10	50		